

BNP 65 Pressure Blast Cabinet



Model BNP 65P-600 DF

Ergonomic Model BNP 65 PE



**Clean
Peen
Deburr
Finish**



For tough cleaning jobs, pressure blasting delivers higher abrasive velocity for greater impact intensity, compared to suction blasting, and can increase your production rate by as much as 300 percent. Available in conventional and ergonomic sit-down styles.

Common Applications

- Remove rust, mill scale, heat scale, and carbon buildup from metals
- Strip paint, powder coating, plating, and anodizing from parts for rework
- Eliminate burrs, parting lines, flashings, and other defects from castings and injection-molded parts
- Extract residual sand from castings
- Beautify steel, stainless steel, aluminum, brass and other metals with a uniform matte finish
- Etch artwork and lettering into glass, stone, plastics, metal and other materials
- Clean release agents and material buildup from molds

BNP 65 Pressure Cabinets Feature:

Safety

- ✓ Full-length, neoprene-on-fabric gloves resist wear and protect operator.
- ✓ Ceiling-mounted, two-tube fluorescent light fixture with abrasive resistant Lexan® cover for extraordinary visibility.
- ✓ Safety interlocks interrupt blasting if either door is opened. (Conforms to US regulations.)
- ✓ Adjustable, heavy-duty chromed latches seal doors tight through years of service.

Productivity

- ✓ High efficiency, 2.0 cubic foot capacity, ASME-coded pressure vessel, fitted with 1" ID piping, industrial-quality blast hose and couplings and cabinet integrated controls.
- ✓ nique Air Logic system (pilot actuated) to maximize air flow to the nozzle.
- ✓ Double-wall, sound-insulated doors, with industrial-quality lift-off hinges.
- ✓ 14-gauge steel all-welded construction, with precisely formed bends, forms a rigid, long-lasting cabinet shell.

Convenience

- ✓ Tilt-out window, for tool-free glass changes in minutes.
- ✓ Pressure regulator, gauge, and electric switch mounted within easy reach.
- ✓ Built-in blow-off gun helps keep dust inside the cabinet, not on your floor.

Tungsten Carbide Blast Nozzle

The standard No. 3 tungsten carbide nozzle is perfect for most blasting, while the optional boron carbide nozzles stand up to hundreds of hours of blasting with aluminum oxide or other aggressive abrasives.

Popular Accessories

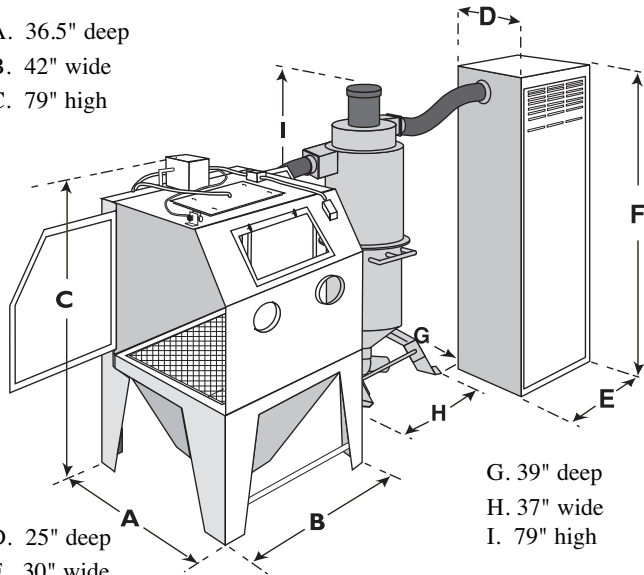
- Adjustable Gun Mount
- Adjustable Vortex Tube (for lightweight media; standard on RP models)
- Air-powered Vertical Lift Door
- Alox Kit (for harsh media)
- Anti-fatigue mat
- Arm rest assembly
- Curtains (black or white)
- HEPA filter (RP model only)
- Manometer Kit
- Noise reduction arm port covers
- Timed door release
- 20" and 30" Dia. Turntables
- Work Car & Track Assembly

S P E C I F I C A T I O N S

COMPLETE SYSTEM

Actual space required depends on equipment configurations, options and desired work flow. Allow additional work space for operator and maintenance access.

- A. 36.5" deep
- B. 42" wide
- C. 79" high



- D. 25" deep
- E. 30" wide
- F. 79.5" high

- G. 39" deep
- H. 37" wide
- I. 79" high

Model illustrated: BNP 65P-600 DF
600 CFM Reclaimer and Dry Filter

CABINET

Working Chamber Size

- 36" wide (914 mm)
- 35" deep (889 mm)*
- 37" high (940 mm)
- *(for Ergo models add 12 inches to depth)

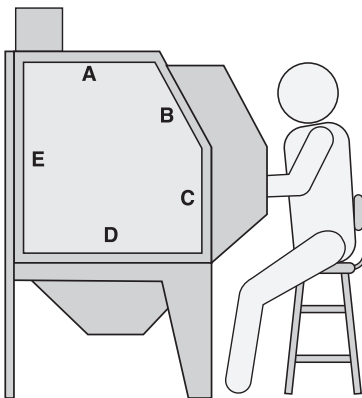
Window Size (safety glass)

- 19.5" wide (495 mm)
- 12.5" high (317 mm)

Door Dimensions

- A. 24" (610 mm)
- B. 17.5" (445 mm)
- C. 19" (483 mm)
- D. 32.5" (826 mm)
- E. 34" (864 mm)

Door interlock system conforms to U.S. government regulations



Ergonomic Configuration

DUST COLLECTORS

Dry Filter

Dry filters are suitable for applications where the dust collector can be shut off periodically to shake dust from the filter tubes. Dry filters trap 98% of dust down to 1.0 micron.

RPC-2

The RPC-2 has two cartridges which provide 470 sq ft of filter area. Reverse pulse dust collectors (which trap 99.7% of dust down to 0.5 micron) allow non-stop, high-production blasting. The cartridges are automatically pulse cleaned for maximum filter efficiency. Worn cartridges can be replaced in minutes. Reverse-Pulse dust collector dimensions are: 56" wide (with motor housing) by 30" deep by 67.5" high.

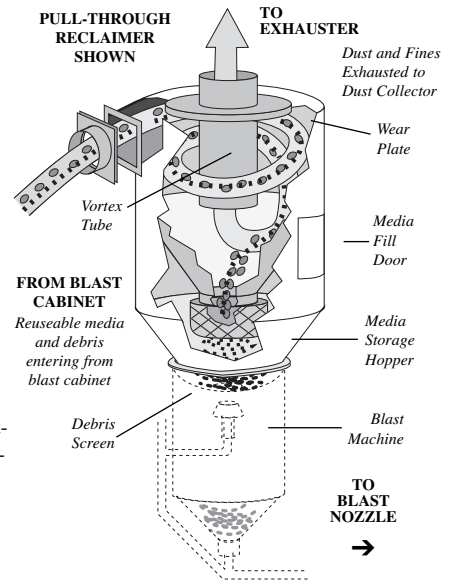
RPH-2

The RPH-2 dust collector has the same filter area as the RPC-2 plus a built-in hopper to minimize dust-handling. At each pulse, dust falls first into the hopper and then into a disposal drum or bag beneath it. The operator never handles the dust—an important safety feature. RPH dust collector dimensions are: 56" wide (with motor housing) by 36" deep by 115" high. The RPH is designed to allow outdoor installation.

BLAST/ RECLAIM SYSTEM

Our exclusive media reclaimers continuously extract dust and debris and return properly sized, usable media to the blast system. The standard reclaimer handles all non-metallic media. Metallic media calls for special equipment considerations.

The reclaimer, mounted atop the pressure vessel, automatically refills the blast system with clean, recycled media.



METALLIC MEDIA

For steel media applications, the reclaimer, flex hose, and adaptors must be appropriately sized. Rubber curtains are recommended. "M" in cabinet model signifies cabinet is steel-ready (see below). Contact your local distributor for field conversion information.

NOZZLES

AIR REQUIREMENTS

NOZZLE	NOZZLE ORIFICE	CFM at 80 PSI	M ³ /Min at 5,5 BAR	CFM at 100 PSI	M ³ /Min at 7 BAR
No. 3	3/16"	38	1,08	45	1,3
No. 4	1/4"	68	1,93	81	2,3
No. 5	5/16"	113	3,20	137	4,0

BNP-65 cabinets are furnished with a No. 3 tungsten carbide nozzle.

ELECTRICAL

600 CFM (17 m³/m) 1HP, 115V, 1PH, 60HZ, (.75KW, 220V, 1PH, 50HZ);

(Also available with three phase motor. Specify 230 v or 460v)

900 CFM (25 m³/m) 2HP, 220V, 3PH, 60HZ, (1.5KW, 220V, 3PH, 50HZ);

ORDERING INFORMATION

Model-Recl-D/C	Conv. Single Phase	Conv. Three Phase	Ship Wt. lb (kg)	Ergo		Ship Wt. lb (kg)
				Single Phase	Three Phase	
BNP-65P-600 DF	19967		1140 (517)	25052		1140 (517)
BNP-65P-600 RPC	19968		1525 (692)	25053		1525 (692)
BNP-65P-600 RPH	24784		2100 (955)	25056		2100 (955)
BNP-65PM-900 DF		22337	1290 (585)		25055	1290 (585)
BNP-65PM-900 RPC		27450	1525 (692)		27452	1525 (692)
BNP-65PM-900 RPH		27451	2100 (955)		27453	2100 (955)



Distributed By:
Environmental Abrasives Warehouse
Boise, Idaho
(208) 947-1351



www.enviroabrasives.com
sales@enviroabrasives.com

ISO 9001 certified. Clemco is committed to continuous product improvement. Specifications are subject to change without notice.

© 2014 Clemco Industries Corp. • Washington, MO 63090 • 636 239-4300 • FAX 800 726-7559

Stock No.: 20007

info@clemcoindustries.com • www.clemcoindustries.com

0991 Rev. E, 06/14

BNP 220 Pressure Blast Cabinet

Ergonomic Model BNP 220 PE



**Clean, Peen,
 Deburr, Finish**



Model BNP 220 P-900 DF

For tough cleaning jobs, pressure blasting delivers higher abrasive velocity for greater impact intensity, compared to suction blasting, and can increase your production rate by as much as 300 percent. Available in conventional and ergonomic sit-down styles.

Common Applications

- Remove rust, mill scale, heat scale, and carbon buildup from metals
- Strip paint, powder coating, plating, and anodizing from parts for rework
- Eliminate burrs, parting lines, flashings, and other defects from castings and injection-molded parts
- Extract residual sand from castings
- Beautify steel, stainless steel, aluminum, brass and other metals with a uniform matte finish
- Etch artwork and lettering into glass, stone, plastics, metal and other materials
- Clean release agents and material buildup from molds

BNP 220 Pressure Cabinets Feature:

Safety

- ✓ Full-length, neoprene-on-fabric gloves resist wear and protect operator.
- ✓ Ceiling-mounted, two-tube fluorescent light fixture with abrasive resistant Lexan® cover for extraordinary visibility.
- ✓ Safety interlocks interrupt blasting if either door is opened. (Conforms to US regulations.)
- ✓ Adjustable, heavy-duty chromed latches seal doors tight through years of service.

Productivity

- ✓ High efficiency, 2.0 cubic foot capacity, ASME-coded pressure vessel, fitted with 1" ID piping, industrial-quality blast hose and couplings, and cabinet integrated controls.
- ✓ Unique Air Logic system (pilot actuated) to maximize air flow to the nozzle.
- ✓ Double-wall, sound-insulated doors, with industrial-quality lift-off hinges.
- ✓ 14-gauge steel all-welded construction, with precisely formed bends, forms a rigid, long-lasting cabinet shell.

Convenience

- ✓ Tilt-out window, for tool-free glass changes in minutes.
- ✓ Pressure regulator, gauge, and electric switch mounted within easy reach.
- ✓ Built-in blow-off gun helps keep dust inside the cabinet, not on your floor.



Tungsten Carbide Blast Nozzle

The standard No 3 tungsten carbide nozzle is perfect for most blasting, while the optional boron carbide nozzles stand up to hundreds of hours of blasting with aluminum oxide or other aggressive abrasives. The cabinet's blast and recovery systems can support up to a No 6 (3/8-inch) nozzles

Popular Accessories

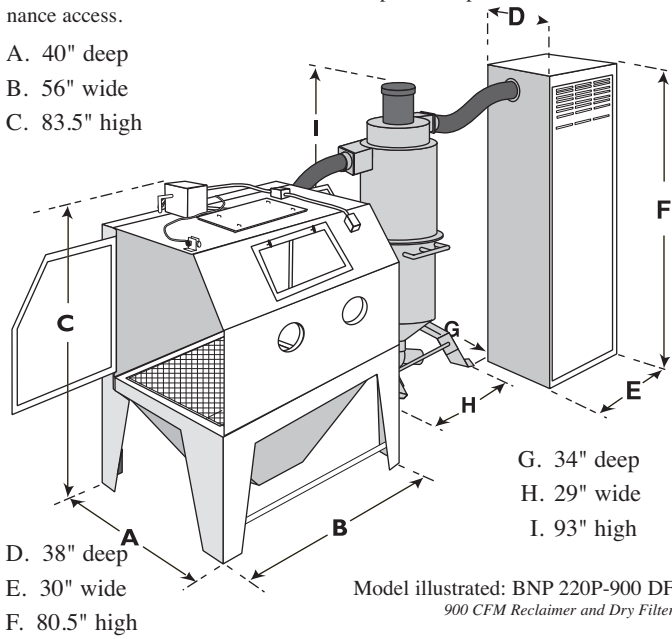
- Adjustable Gun Mount
- Adjustable Vortex Tube
- Air-powered Vertical Lift Door
- Alox Kit
- Curtains (black or high-visibility white)
- HEPA filter (RP model only)
- Manometer Kit
- Noise reduction arm port covers
- Oscillator Assembly
- Timed door release
- 20" and 30" Dia. Turntables
- Work Car & Track Assembly
- A-300 Automation Kit

S P E C I F I C A T I O N S

COMPLETE SYSTEM

Actual space required depends on equipment configurations, options and desired work flow. Allow additional work space for operator and maintenance access.

- A. 40" deep
- B. 56" wide
- C. 83.5" high



- G. 34" deep
- H. 29" wide
- I. 93" high

Model illustrated: BNP 220P-900 DF
900 CFM Reclaimer and Dry Filter

CABINET

Working Chamber Size Ergonomic Configuration

50" wide (1270 mm)
39" deep (991 mm)*
43" high (1092 mm)
*(for Ergo models add 12 inches to depth)

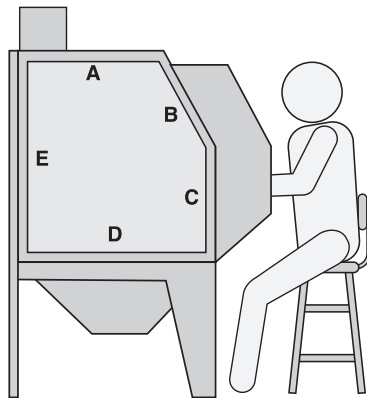
Window Size (safety glass)

19.5" wide (495 mm)
12.5" high (318 mm)

Door Dimensions

- A. 27" (686mm)
- B. 20.5" (521mm)
- C. 19.5" (495mm)
- D. 36.5" (927mm)
- E. 38" (965mm)

Door interlock system conforms to U.S. government regulations.



DUST COLLECTORS

Dry filters are suitable for most industrial applications where the dust collector can be shut off periodically to shake dust from the 100% cotton sateen filter tubes.

Dry filters trap 98% of dust down to 1.0 micron.

Reverse pulse cartridge dust collectors (which trap 99.7% of dust down to 0.5 micron) allow non-stop, high-production blasting. The polyester-cellulose cartridges are automatically pulse cleaned for maximum filter efficiency. Worn cartridges can be replaced in minutes.

Dry Filters	Reverse Pulse Collector
5 sq ft filter area per tube 600 cfm DF 25 has tubes (125 sq ft) 900 cfm DF has 40 tubes (200 sq ft)	235 sq ft filter area per cartridge RPC-2 and RPH-2 have two cartridges (470 sq ft) RPH model has integral hopper

Clemco is committed to continuous product improvement. Specifications are subject to change without notice.

Clemco Industries is an ISO 9001-2008 certified company.

Stock No.: 20009

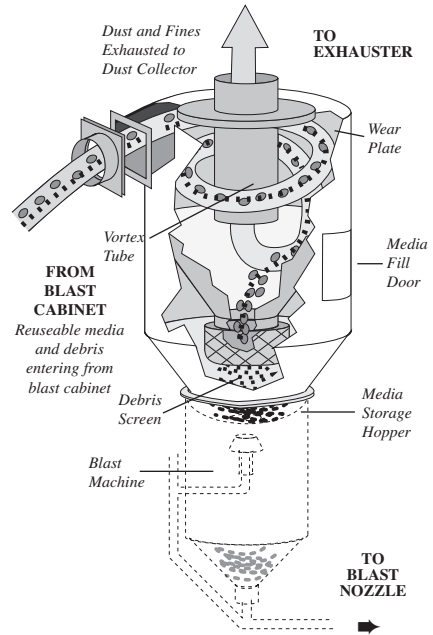
BLAST/ RECLAIM SYSTEM

The Heart of ZERO's Blasting System

Our exclusive media reclaimers continuously extract dust and debris and return properly sized, usable media to the blast system. The standard reclaimer handles all non-metallic media. For metallic media, specify reduced ID conveying hose.

The versatile design of our 600-cfm and larger reclaimers lets you quickly adapt the system to your changing needs - add media hoppers, rubber liners, or pull-through dust-collection.

The reclaimer, mounted atop the pressure vessel, automatically refills the blast system with clean, recycled media.



NOZZLES

AIR REQUIREMENTS

NOZZLE	NOZZLE ORIFICE	CFM at 80 PSI	M ³ /Min at 5,5 BAR	CFM at 100 PSI	M ³ /Min at 7 BAR
No. 3	3/16"	38	1,08	45	1,3
No. 4	1/4"	68	1,93	81	2,3
No. 5	5/16"	113	3,20	137	4,0
No. 6	3/8"	161	4,56	196	5,6

BNP-220 cabinets are furnished with a No. 3 tungsten carbide nozzle.

ELECTRICAL

900 CFM (25 m³/m) 2HP, 220V, 3PH, 60HZ, (1.5KW, 220V, 3PH, 50HZ); available with three phase motors only.

For three phase motors, specify 230v or 460v.

Other motors and electrical configurations are available to make your system compatible with local power systems.

ORDERING INFORMATION

Model-Recl-D/C	Conv. Three Phase	Ship Wt. lb (kg)	Ergo	
			Three Phase	Ship Wt. lb (kg)
BNP-220-900 DF	19970	1445 (657)	25039	1445 (657)
BNP-220-900 RPC	19971	1815 (825)	25061	1815 (825)
BNP-220-900 RPH	24193	2265 (1030)	25040	2265 (1030)
BNP-220M-900 DF	22339	1445 (657)	25036	1490 (677)

Distributed By:

Environmental Abrasives

Warehouse

Boise, Idaho

(208) 947-1351

www.enviroabrasives.com

sales@enviroabrasives.com