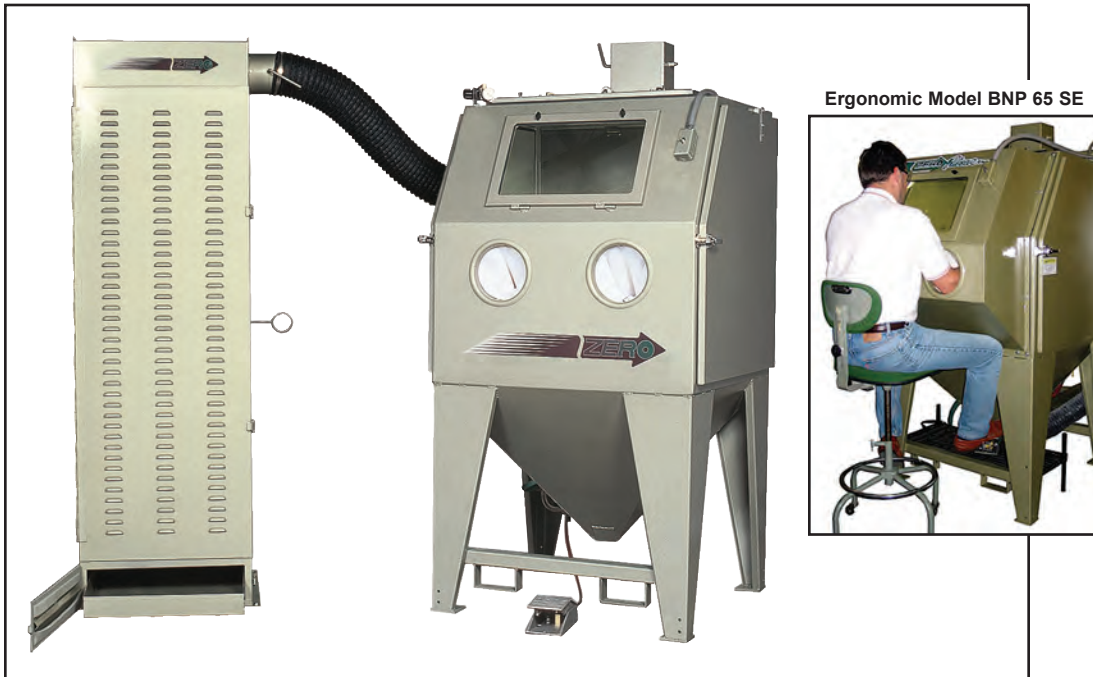


BNP 65 Suction Blast Cabinet



Model BNP 65S-600 DF

BNP blast cabinets deliver efficient, affordable media blasting to clean,peen, deburr, or finish parts. Available in conventional and ergonomic sit-down styles.

Common Applications

- Remove rust, mill scale, heat scale, and carbon buildup from metals
- Strip paint, powder coating, plating, and anodizing from parts for rework
- Eliminate burrs, parting lines, flashings, and other defects from castings and injection-molded parts
- Extract residual sand from castings
- Beautify steel, stainless steel, aluminum, brass and other metals with a uniform matte finish
- Etch artwork and lettering into glass, stone, plastics, metal and other materials
- Clean release agents and material buildup from molds

BNP 65 Cabinets Feature:

Safety

- ✓ Full-length, neoprene-on-fabric gloves resist wear and protect operator.
- ✓ Ceiling-mounted, two-tube fluorescent light fixture with abrasive resistant Lexan® cover for extraordinary visibility.
- ✓ Safety interlocks interrupt blasting if either door is opened. (Conforms to US regulations.)
- ✓ Adjustable, heavy-duty chromed latches seal doors tight through years of service.

Productivity

- ✓ Unique Air Logic system (pilot actuated) to maximize air flow to the blast gun.
- ✓ Double-wall, sound-insulated doors, with industrial-quality lift-off hinges.
- ✓ 14-gauge steel all-welded construction, with precisely formed bends, forms a rigid, long-lasting cabinet shell.

Convenience

- ✓ Tilt-out window, for tool-free glass changes in minutes.
- ✓ Pressure regulator, gauge, and electric switch mounted within easy reach.
- ✓ Built-in blow-off gun helps keep dust inside the cabinet, not on your floor.

**Clean
 Peen
 Deburr
 Finish**



Cutaway shown

BNP Blast Gun with Ceramic Nozzle

The BNP blast gun sets the industry standards for performance, versatility, and durability. The ergonomically proven grip reduces operator fatigue and increases productivity. The standard ceramic nozzle is perfect for bead blasting, while the optional tungsten or boron carbide nozzles stand up to hundreds of hours of blasting with today's aggressive abrasives.

Popular Accessories

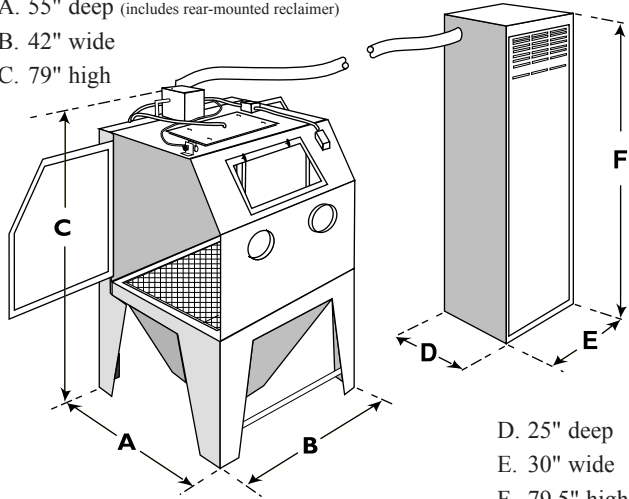
- Adjustable Gun Mount
- Adjustable Vortex Tube (for lightweight media; standard on RP models)
- Alox Kit (for harsh media)
- Air-powered Vertical Lift Door
- Anti-fatigue mat
- Arm rest assembly
- Curtains (black or white)
- HEPA filter (RP model only)
- Manometer Kit
- Noise reduction arm port covers
- Timed Door Release
- Two Gallon Tumble Basket
- 20" and 30" Dia. Turntables
- Work Car & Track Assembly

S P E C I F I C A T I O N S

COMPLETE SYSTEM

Actual space required depends on equipment configurations, options and desired work flow. Allow additional work space for operator and maintenance access.

- A. 55" deep (includes rear-mounted reclaimer)
- B. 42" wide
- C. 79" high



- D. 25" deep
- E. 30" wide
- F. 79.5" high

Model illustrated: BNP 65-600 DF
600 CFM Reclaimer (rear mounted) and Dry Filter

CABINET

Working Chamber Size

36" wide (914 mm)
35" deep (889 mm)*
37" high (940 mm)
*(for Ergo models add 12 inches to depth)

Window Size (safety glass)

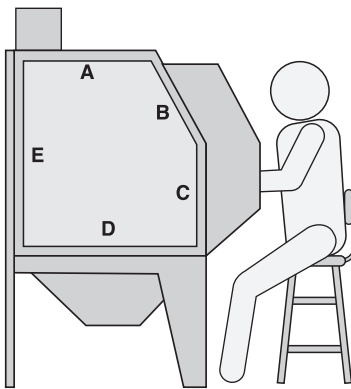
19.5" wide (495 mm)
12.5" high (317 mm)

Door Dimensions

- A. 24" (610mm)
- B. 17.5" (445mm)
- C. 19" (483mm)
- D. 32.5" (826mm)
- E. 34" (864mm)

Door interlock system conforms to U.S. government regulations

Ergonomic Configuration



DUST COLLECTORS

Dry filters are suitable for most industrial applications where the dust collector can be shut off periodically to shake dust from the 100% cotton sateen filter tubes. Dry filters trap 98% of dust down to 1.0 micron.

Reverse pulse cartridge dust collectors (which trap 99.7% of dust down to 0.5 micron) allow non-stop, high-production blasting. The polyester-cellulose cartridges are automatically pulse cleaned for maximum filter efficiency. Worn cartridges can be replaced in minutes.

Dry Filters	Reverse Pulse Collector
5 sq ft filter area per tube 300 cfm DF has 15 tubes (75 sq ft) 600 cfm DF has 25 tubes (125 sq ft)	235 sq ft filter area per cartridge RPC-2 has two cartridges (470 sq ft)

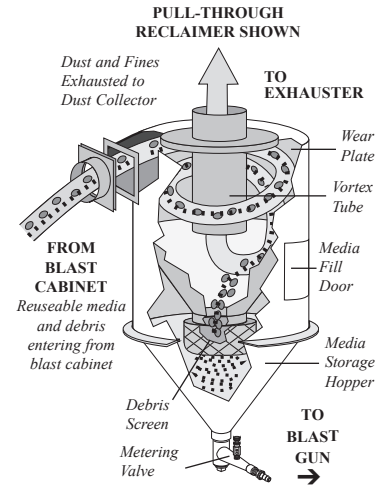
Clemco is committed to continuous product improvement. Specifications are subject to change without notice.
ISO 9001:2008 certified.

MEDIA RECLAIMERS

Our exclusive media reclaimers continuously extract dust and debris and return properly sized, usable media to the blast system. The standard reclaimer handles all non-metallic media. Metallic media calls for special equipment considerations.

The suction blast metering valve is infinitely adjustable from fully-closed to wide open, and locks into any setting without tools.

The versatile design of our 600-cfm and larger reclaimers lets you quickly adapt the system to your changing needs — a pressure blast system, or pull-through dust collection.



METALLIC MEDIA

For steel media applications, the reclaimer, flex hose, and adaptors must be appropriately sized. Rubber curtains are recommended. "M" in cabinet model signifies cabinet is steel-ready (see below). Contact your local distributor for field conversion information.

BNP BLAST GUN

AIR CONSUMPTION

BNP GUN	NOZZLE ORIFICE	AIR JET	CFM at 80 PSI	M ³ /Min at 5,5 BAR	MINIMUM RECLAIMER
No. 4	5/16"	1/8"	21	0,60	300 CFM (8,5 m ³ /m)
No. 5	5/16"	5/32"	32	0,90	300 CFM (8,5 m ³ /m)
No. 6	3/8"	3/16"	48	1,35	600 CFM (17 m ³ /m)
No. 7	7/16"	7/32"	62	1,76	600 CFM (17 m ³ /m)
No. 8	1/2"	1/4"	85	2,41	600 CFM (17 m ³ /m)

BNP 65 cabinets come standard with a No. 5 BNP gun with ceramic nozzle. Other sizes and liner materials are available.

ELECTRICAL

300 CFM (8,5 m³/m) 1/2HP, 115V, 1PH, 60HZ, (.37KW, 220V, 1PH, 50HZ)
600 CFM (17 m³/m) 1HP, 115V, 1PH, 60HZ, (.75KW, 220V, 1PH, 50HZ)
(600 CFM model is also available with three phase motor. Specify 230v or 460v.)
900 CFM (25 m³/m) 2HP, 220V, 3PH, 60HZ, (1.5KW, 220V, 3PH, 50HZ)

ORDERING INFORMATION

Model-Recl-D/C	Conv.		Ship Wt. lb (kg)	Ergo		Ship Wt. lb (kg)
	Single Phase	Three Phase		Single Phase	Three Phase	
BNP-65S-300 DB	19941		555 (252)	25044		555 (252)
BNP-65S-300 DF	19942		765 (347)	25045		765 (347)
BNP-65S-600 DB	19945	19946	575 (261)	25046	25047	575 (261)
BNP-65S-600 DF	19947	19948	850 (385)	25048	25049	850 (385)
BNP-65S-600 RPC	19950	19952	1180 (535)	25050	25051	1180 (535)
BNP-65SM-900 DF		22336	1000 (455)		25054	1000 (455)



Distributed By:
Environmental Abrasives
Warehouse
Boise, Idaho
(208) 947-1351

www.enviroabrasives.com
sales@enviroabrasives.com

BNP 220 Suction Blast Cabinet



Model BNP 220 S-900 RPH

Cutaway shown

**Clean
 Peen
 Deburr
 Finish**

BNP blast cabinets deliver efficient, affordable media blasting to clean,peen, deburr, or finish parts. Available in conventional and ergonomic sit-down styles.

Common Applications

- Remove rust, mill scale, heat scale, and carbon buildup from metals
- Strip paint, powder coating, plating, and anodizing from parts for rework
- Eliminate burrs, parting lines, flashings, and other defects from castings and injection-molded parts
- Extract residual sand from castings
- Beautify steel, stainless steel, aluminum, brass and other metals with a uniform matte finish
- Etch artwork and lettering into glass, stone, plastics, metal and other materials
- Clean release agents and material buildup from molds

BNP 220 Cabinets Feature: **Safety**

- ✓ Full-length, neoprene-on-fabric gloves resist wear and protect operator.
- ✓ Ceiling-mounted, two-tube fluorescent light fixture with abrasive resistant Lexan® cover for extraordinary visibility.
- ✓ Safety interlocks interrupt blasting if either door is opened. (Conforms to US regulations.)
- ✓ Adjustable, heavy-duty chromed latches seal doors tight through years of service.

Productivity

- ✓ Unique Air Logic system (pilot actuated) to maximize air flow to the blast gun.
- ✓ Double-wall, sound-insulated doors, with industrial-quality lift-off hinges.
- ✓ 14-gauge steel all-welded construction, with precisely formed bends, forms a rigid, long-lasting cabinet shell.

Convenience

- ✓ Tilt-out window, for tool-free glass changes in minutes.
- ✓ Pressure regulator, gauge, and electric switch mounted within easy reach.
- ✓ Built-in blow-off gun helps keep dust inside the cabinet, not on your floor.

BNP Blast Gun with Ceramic Nozzle

The BNP blast gun sets the industry standards for performance, versatility, and durability. The ergonomically proven grip reduces operator fatigue and increases productivity. The standard ceramic nozzle is perfect for bead blasting, while the optional tungsten or boron carbide nozzles stand up to hundreds of hours of blasting with today's aggressive abrasives.

Popular Accessories

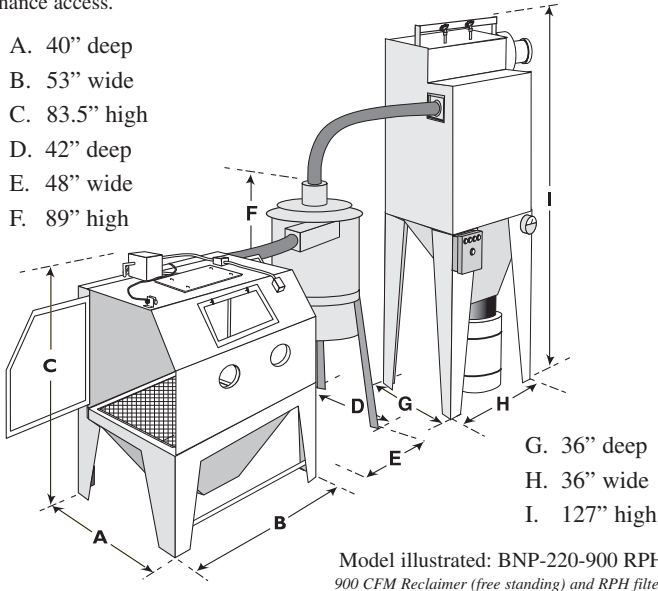
- Adjustable Gun Mount
- Adjustable Vortex Tube
- Alox Kit
- Air-powered Vertical Lift Door
- Curtains (black or high visibility white)
- HEPA filter (RP model only)
- Manometer Kit
- Noise reduction arm port covers
- Oscillator Assembly
- 20" & 30" Dia. Turntables
- Work Car & Track Assembly
- Two Gallon Tumble Basket
- Timed Door Release
- A-300 Automation Kit

S P E C I F I C A T I O N S

COMPLETE SYSTEM

Actual Space required depends on equipment configurations, options and desired work flow. Allow additional work space for operator and maintenance access.

- A. 40" deep
- B. 53" wide
- C. 83.5" high
- D. 42" deep
- E. 48" wide
- F. 89" high



Model illustrated: BNP-220-900 RPH
900 CFM Reclaimer (free standing) and RPH filter

CABINET

Working Chamber Size Ergonomic Configuration

50" wide (1270 mm)
39" deep (991 mm)*
43" high (1092 mm)
*(for Ergo models add
12 inches to depth)

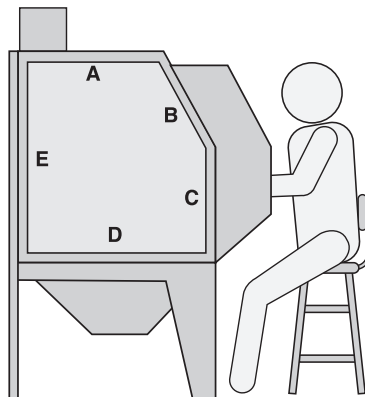
Window Size (safety glass)

19.5" wide (495 mm)
12.5" high (318 mm)

Door Dimensions

- A. 27" (686mm)
- B. 20.5" (521mm)
- C. 19.5" (495mm)
- D. 36.5" (927mm)
- E. 38" (965mm)

Door interlock system conforms to U.S. government regulations.



DUST COLLECTORS

Dry filters are suitable for most industrial applications where the dust collector can be shut off periodically to shake dust from the 100% polyester-cotton sateen filter tubes.

Dry filters trap 98% of dust down to 1.0 micron.

Reverse pulse cartridge dust collectors (which trap 99.7% of dust down to 0.5 micron) allow non-stop, high-production blasting. The polyester-cellulose cartridges are automatically pulse cleaned for maximum filter efficiency. Worn cartridges can be replaced in minutes.

Dry Filters	Reverse Pulse Collector
5 sq ft filter area per tube 600 cfm DF 25 has tubes (125 sq ft) 900 cfm DF has 40 tubes (200 sq ft)	235 sq ft filter area per cartridge RPC-2 and RPH-2 have two cartridges (470 sq ft) RPH model has integral hopper

Clemco is committed to continuous product improvement. Specifications are subject to change without notice.

Clemco Industries is an ISO 9001-2008 certified company.

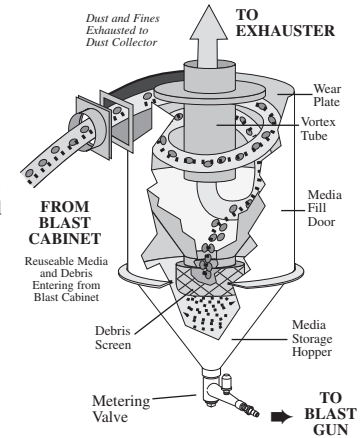
MEDIA RECLAIMERS

The Heart of ZERO's Blasting System

Our exclusive media reclaimers continuously extract dust and debris and return properly sized, usable media to the blast system. The standard reclaimer handles all non-metallic media. For metallic media, specify reduced ID conveying hose.

The suction blast metering valve is infinitely adjustable from fully-closed to wide open, and locks into any setting without tools.

The versatile design of our 600-cfm and larger reclaimers lets you quickly adapt the system to your changing needs—add media hoppers, a pressure blast system, or pull-through dust collection.



BNP BLAST GUN

AIR CONSUMPTION

BNP GUN	NOZZLE ORIFICE	AIR JET	CFM at 80 PSI	M ³ /Min at 5,5 BAR	MINIMUM RECLAIMER
No. 4	5/16"	1/8"	21	0,60	300 CFM (8,5 m ³ /m)
No. 5	5/16"	5/32"	32	0,90	300 CFM (8,5 m ³ /m)
No. 6	3/8"	3/16"	48	1,35	600 CFM (17 m ³ /m)
No. 7	7/16"	7/32"	62	1,76	600 CFM (17 m ³ /m)
No. 8	1/2"	1/4"	85	2,41	600 CFM (17 m ³ /m)

BNP 220 suction cabinets are furnished with a No. 5 BNP gun. Other sizes and liner materials are available.

ELECTRICAL

600 CFM (17 m³/m) 1HP, 115V, 1PH, 60HZ, (.75KW, 220V, 1PH, 50HZ); available with either single phase or three phase motors.

900 CFM (25 m³/m) 2HP, 220V, 3PH, 60HZ, (1.5KW, 220V, 3PH, 50HZ); available with three phase motors only.

For three phase motors, specify 230v or 460v.

Other motors and electrical configurations are available to make your system compatible with local power systems.

ORDERING INFORMATION

Model-Recl-D/C	Conv. Single Phase			Conv. Three Phase			Ergo Single Phase	Ergo Three Phase
	Ship	Wt.	lb (kg)	Ship	Wt.	lb (kg)		
BNP-220-600 DF	19955	19956	1,025 (466)	25030	25062	1025 (466)		
BNP-220-600 RPC	19958	19960	1,295 (589)	25031	25032	1,295 (589)		
BNP-220-600 RPH	24785	24798	1,870 (850)	25033	25063	1,870 (850)		
BNP-220-900 DF		19962	1,155 (525)		25034	1,155 (525)		
BNP-220-900 RPC		19964	1,435 (652)		25037	1,435 (652)		
BNP-220-900 RPH		19965	2,010 (914)		25038	2,010 (914)		
BNP-220M-900 RPH		22338	1,155 (525)		25035	1,155 (525)		



Distributed By:
Environmental Abrasives Warehouse
Boise, Idaho
(208) 947-1351

www.enviroabrasives.com
sales@enviroabrasives.com